

**Four  
Wheel**

**6,000-7,000 lbs  
G Series 80 Volt  
AC Electric Forklift**



**9** SERIES

**HELI**  
LIFTING THE FUTURE

Top 10 Forklift  
Manufacturer In The World



# G Series AC Electric Forklift Four Wheel **6,000-7,000 lbs**

## High Visibility Mast Design



Wide view mast design enhances operator visibility thus increasing productivity and minimizing the potential for product damage.

- Full face mast channel roller bearings.
- 4 carriage rollers with 4 adjustable side thrust rollers.

## Steering System



The steering system includes the latest technology providing excellent operation control, optimal load positioning and noise reduction.

- New integrated load-sensing steering.
- Power Steering.
- New low-noise gear pump with differential tooth technology.

## AC Drive Motor



- Large ratio gear box.
- Regenerative braking.
- Low maintenance AC motor.

High power AC drive motor combined with large ratio gear box enhances both acceleration and gradeability.



## High Efficiency Hydraulic System

The innovative design of the hydraulic system improves the efficiency of loading and unloading.



- Low-speed, high-torque hydraulic pump motor.
- MOSFET hydraulic controller.
- Low noise gear pump with differential tooth technology.
- Dynamic load sensing technology is standard equipment.

## Ergonomically Designed and Spacious Operator compartment

- Seat-deck mounted hydraulic control levers located on operators right side.
- Multi-function instrument display.
- BDI with lift interrupt.
- Operator presence system.
- Tilt steering column.



## Intelligent Performance

- Choice of ZAPI or CURTIS controllers
- AC traction controllers
- Emergency power shutdown
- Self protecting controller
- Standard CAN BUS design
- Anti roll-back and anti roll-down with adjustable ramp stop time
- Adjustable travel speed select function



ZAPI CONTROLLER



CURTIS CONTROLLER

**9** SERIES



**G Series**  
**AC Electric Forklift** **Four Wheel** **6,000-7,000 lbs**



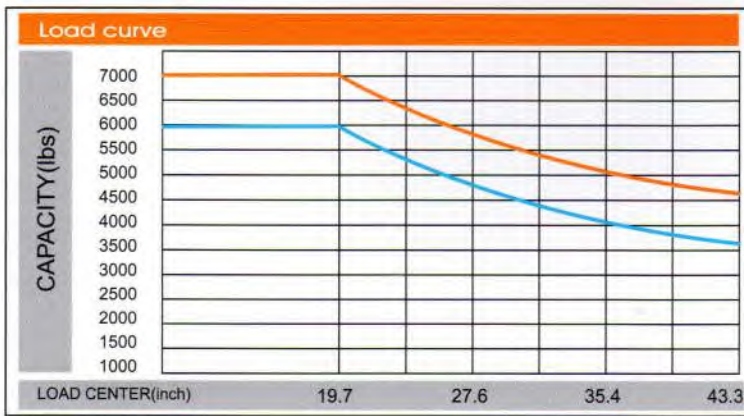
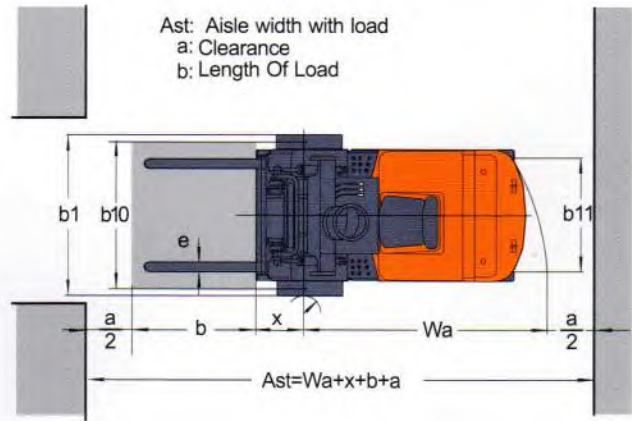
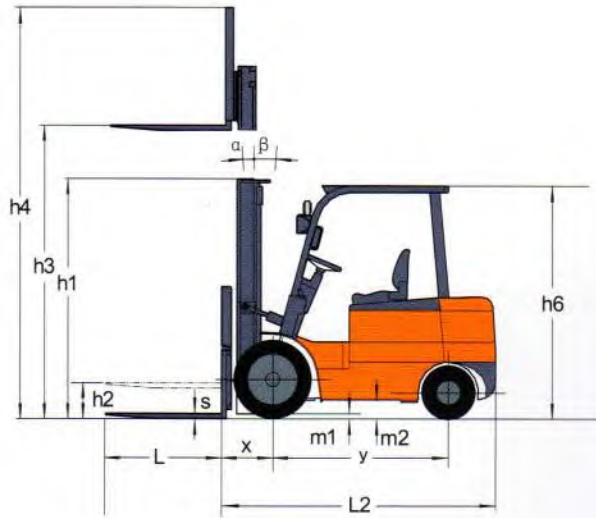


**G Series AC Electric Forklift Four Wheel 6,000-7,000 lbs**



**Manufacturers Data and Design Characteristics**

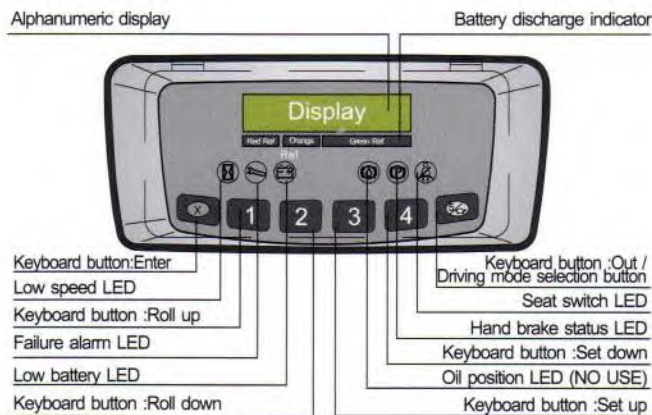
Characteristics					
1.01	Model			CPD30	CPD35
1.02	Configuration Number			G1/G2	G1/G2
1.03	Rated Capacity	lbs		6000	7000
1.04	Load Center	inch		24	
1.05	Power Type			Battery	
1.06	Operation			Seated	
Dimensions					
2.01	Overall max. lifting height (With backrest)	h4	inch	164.6	164.4
2.02	Max. Lifting height	h3	inch	118	
2.03	Height mast retracted (upright)	h1	inch	81.7	85.8
2.04	Free lift height	h2	inch	5.7	5.9
2.05	Overhead Guard clearance (from face of seat)		inch	41	
2.06	Overall height (overhead guard)	h6	inch	87.2	
2.07	Overall length (with forks)		inch	140.0	142.5
2.08	Overall length (without forks)	L2	inch	97.8	100.4
2.09	Front overhand	X	inch	19.1	19.3
2.10	Wheelbase	y	inch	66.1	66.1
2.11	Ground clearance under mast	m1	inch	5.3	
2.12	Ground clearance at center of wheelbase	m2	inch	5.9	
2.13	Overall width	b1	inch	48.2	
2.14	Tread (front)	b10	inch	41.5	
2.15	Tread (rear)	b11	inch	38.6	
2.16	Outside turning radius	Wa	inch	87	89.4
2.17	Tilting angles (forward/backward)	$\alpha / \beta$		6° / 10°	
2.18	Fork dimensions (LxWxT)	L/e/s	inch	42x4.9x1.77	42x4.9x1.97
2.19	Fork Carriage to DIN 15173 A/B			2A	2A
2.20	Right Stack Aisle width (pallet size 99.37"x99.37", clearance: 7.87")		inch	153.3	156
2.21	Right Stack Aisle width (pallet size 47.24"x47.24", clearance: 7.87")		inch	161.2	163.8
Performances					
3.01	Max. Traveling speeds (With/Without load)		mile/h	9.4/9.7	9.06/9.4
3.02	Lifting Speeds (With/Without load)		ft/min	55/88.6	49/86.6
3.03	Lowering Speeds (With/Without load)			98.4	
3.04	Max. Draw-bar pull (With/Without load)		lbs	3510	3940
3.05	Max. Gradient (With/Without load)			15	12
3.06	Acceleration time (33 ft) (with/without load)			5.0/4.7	5.2/4.9
Weight					
4.01	Total Approximate Weight (with/without battery)		lbs	10600/7100	12000/8600
4.02	Axle Loading: Unloaded (Front/Rear)		lbs	5100/5500	5800/6300
4.03	Axle Loading: Loaded (Front/Rear)		lbs	15500/1660	18000/1880
Wheels&Tires					
5.01	Wheels number front/rear			2/2	
5.02	Tire Type			Pneumatic	Pneumatic
5.03	Tire size (front)			25x9-15-12PR	28x9-15
5.04	Tire size (rear)			18x7-8-14PR	18x7-8
Battery					
6.01	Battery Voltage/rated capacity (5h)			80/480	80/480
6.02	Battery Weight		lbs	3500	3500
6.03	Battery to DIN 43531/35/36/A/B/C			43536A	43536A
6.04	Compartment for Battery Size			40.5x28x30.9"	
Motor & Controller					
7.01	Drive Motor - 60 Min. Rating			16.6	
7.02	Pump Motor - 15 Min. Rating			13	
7.03	Drive Motor Control Method			MOSFET/AC	
7.04	Pump Motor Control Method			MOSFET/DC	
7.05	Service Brake / Parking Brake			Hydraulic / Mechanical	
7.06	Relief Pressure			21	



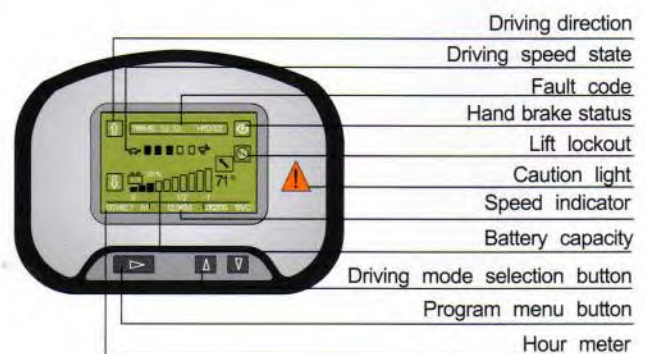
6000lbs      7000lbs

**Note:**  
Vertical axis represents load capacity while horizontal axis represents load center. Load center is the distance measured from the front of forks to the center of load. Load capacities will be reduced based upon extended load length, forward tilt or use of attachments.

**Available Instrument Displays For ZAPI And Curtis Controllers**



ZAPI Display



CURTIS Display

## 6,000-7,000lbs 2-STAGE STANDARD MAST

Mast model	Max. Fork height (inch)	Load Capacity (Load center 24 inch)(lbs)		Overall Height (inch)		Tilt Angle ( $\alpha/\beta$ ) (°)
		CPD30	CPD35	CPD30	CPD35	
M200	78	6000	7000	61.6	66.1	6/10
M250	98	6000	7000	71.5	76.0	6/10
M300	118	6000	7000	81.7	85.8	6/10
M330	130	6000	7000	87.2	91.7	6/10
M350	137	6000	7000	91.1	95.7	6/10
M370	145	6000	6800	95.1	99.6	6/6 *6/10
M400	157	5900	6700	103.0	107.5	6/6 *6/10
M450	177	5500	6200	112.8	117.3	6/6 *6/10
M500	196	4800 *5100	5300 *5600	122.6	127.2	6/6 *6/6
M550	216	4500 *4900	5000 *5200	134.4	139.0	*3/6
M600	236	3000 *4400	3100 *4800	144.3	148.8	*3/6

## 6,000-7,000lbs 2-STAGE FULL FREE MAST

Mast model	Max. fork height (inch)	Load Capacity (Load center 24 inch) (lbs)		Overall Height (inch)		Free lift (With STD backrest) (inch)		Tilt Angle ( $\alpha/\beta$ ) (°)
		CPD30	CPD35	CPD30	CPD35	CPD30	CPD35	
ZM200	78	6000	7000	61.8	66.1	13.5	19.7	6/10
ZM250	98	6000	7000	71.7	76.0	23.4	29.5	6/10
ZM300	118	6000	7000	81.5	85.8	33.2	39.4	6/10
ZM330	130	6000	7000	87.4	91.7	39.1	45.3	6/10
ZM350	137	6000	7000	91.3	95.7	43.1	49.2	6/10
ZM370	145	6000	6800	95.3	99.6	47.0	53.1	6/6 *6/10
ZM400	157	5900	6700	103.1	107.5	54.9	61.0	6/6 *6/10

## 6,000-7,000lbs 3-STAGE FULL FREE MAST

Mast model	Max. Fork height (inch)	Load Capacity (Load center 24 inch) (lbs)		Overall Height (inch)		Free lift (With STD backrest) (inch)		Tilt Angle ( $\alpha/\beta$ ) (°)
		CPD30	CPD35	CPD30	CPD35	CPD30	CPD35	
ZSM360	141"TSU	6000	6800	76.6	76.6	26.4	26.4	6/6
ZSM400	157"TSU	5800	6500	81.3	81.3	31.3	31.3	6/6
ZSM435	171"TSU	5500	6300	86.2	86.2	36.2	36.2	6/6
ZSM450	177"TSU	5400	6000	88.2	88.2	38.2	38.2	6/6
ZSM480	189"TSU	5200	5600	92.1	92.1	42.1	42.1	6/6
ZSM500	196"TSU	4800 *5000	5300	96.1	96.1	46.1	46.1	6/6
ZSM540	212"TSU	4500 *4900	5000	101.0	101.0	51.0	51.0	3/6
ZSM600	236"TSU	3100 *4300	3100 *4600	109.8	109.8	59.8	59.8	3/6

NOTE: (1)\* Rated capacity with front dual tires;  
 (2)CPD30:The free height of full free 2-stage mast without backrest increase 19.3 inch;  
 (3)CPD35:The free height of full free 2-stage mast without backrest increase 16.2 inch;  
 (4)The free lift height of full free 3-stage mast without backrest increase 20.5 inch.