



**6000 lbs  
G Series  
Pneumatic Tire Forklift**

**G** SERIES

**HELI**  
LIFTING THE FUTURE

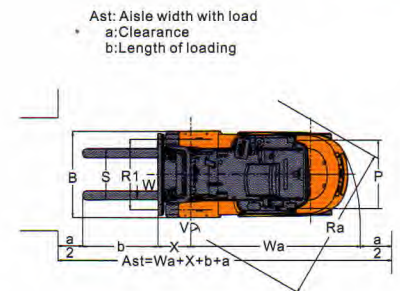
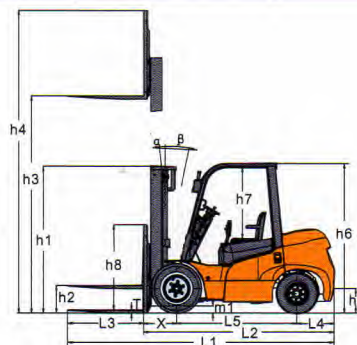
Top 10 Forklift  
Manufacturer In The World





Characteristics			
1	Model		CPYD30
2	Fuel Type		LPG
3	Base Capacity	lbs	6000
4	Load Center	inch	24
Dimensions			
5	Max. Lift Height With Backrest	h4	inch 164.6
6	Standard Fork Height	h3	inch 118
7	Overall Lowered Height	h1	inch 81.7
8	Free Lift Standard Backrest Height	h2	inch 6.1
9	Operator Clearance	h7	inch 40.7
10	Overall Height	h6	inch 85.4
11	Overall Length (Without Forks)	L2	inch 106.3
12	Front Overhang	X	inch 18.7
13	Rear Overhang	L4	inch 20.7
14	Wheel Base	L5	inch 66.9
15	Tow Pin Height	h5	inch 9.8
16	Minimum Ground Clearance Under Mast	m1	inch 5.3
17	Overall Width	B	inch 48.2
18	Lateral Fork Adjustment Outside of Fork(Max./Min.)	S	inch 41.5/9.8
19	Tread(front)	R1	inch 39.3
20	Tread(rear)	P	inch 38.1
21	Outside Turning Radius	Wa	inch 94.4
22	Inside Turning Radius	V	inch 7.8
23	Minimum Intersecting Aisle	Ra	inch 93.7
24	Tilt Angles(forward/backward)	$\alpha / \beta$	inch 6° / 12°
25	Fork Dimension(axbxc)		inch 42×4.92×1.77
Performance			
26	Max. Traveling Speeds(with/without Load)	mile/h	11.2/12.5
27	Lifting Speeds (with/without Load)	ft/min	92/100
28	Lowering Speeds(with/without Load)	ft/min	106/102
29	Max. Draw-bar Pull(with/without Load)	lbf	4387/2587
30	Max. Negotiable Gradient(with/without Load)	%	20
Weights			
31	Service Weight	lbs	8800
32	Axle Load, Front/Rear	lbs	14330/1980
33	Axle Load Without, Front/Rear	lbs	3880/5820
Tires			
34	Wheels Number Front/Rear(x=driven)		2×/2
35	Type		Pneumatic
36	Size(front)		28×9-15-12PR
37	Size(rear)		6.5-10-10PR
38	Service Brake		Hydraulic-Foot Pedal
39	Parking Brake		Mechanical-Hand Lever
Drive			
40	Battery(Voltage/Capacity)	V/Ah	12/80
41	Internal Combustion Engine Model		GM3.0
42	Internal Combustion Engine Rated Output	Hp/rpm	64/2700
43	Internal Combustion Engine Rated Torque	lb.ft/rpm	139/1500
44	Internal Combustion Engine Number Of Cylinder		4
45	Internal Combustion Engine Displacement	L	18.3/2.966
46	Internal Combustion Engine Fuel Tank Capacity	L	13.2
47	Transmission Number Of Speed Fwd/bwd Type		1-1Power Shift T/M

\*Details of specifications and equipment are based on information available at the time of printing and may change without notice.



**ANHUI HELI INDUSTRIAL VEHICLE IMPORT&EXPORT CO.,LTD.**  
 ROAD 15 WEST WANGJIANG ROAD,HEFEI,ANHUI,P.R.CHINA  
 TEL (86 551)63639068  
 FAX (86 551)63639966  
 WEBSITE <http://www.helichina.net>