

**2,000-7,000 lbs**  
**G Series**  
**Pneumatic Tire Forklift**



**HELI**  
LIFTING THE FUTURE

Top 10 Forklift  
Manufacturer In The World

# G Series Pneumatic Tire Forklift

# 2,000-7,000 lbs

## Mast and Carriage



VISIBILITY OF COMPETITIVE MODEL  
VISIBILITY OF HELI G-SERIES FORKLIFT



VISIBILITY OF COMPETITIVE MODEL  
VISIBILITY OF HELI G-SERIES FORKLIFT



The G series mast features an advanced damping system to significantly reduce impact and vibration during operation. Through the use of advanced design analysis, Heli has been able to optimize the operator's vantage point and achieve a 40% decrease in operational vibration.

## Benefits of Innovative Design



FINITE ELEMENT ANALYSIS OF OPERATOR CONTROLS

The steering column is mounted to the chassis using vibration dampening mounts. This feature reduces the vibration the operator may experience during normal operation.

Noise reduction is accomplished through the use of sound deadening insulation under the operator's seat deck. This feature provides the operator with less noise distraction which enables them to operate the machine in a safer manner.

- Increased operator efficiency
- Reduced potential product damage

## Power Train



### Available Engines

- Kubota model V2403 (50 HP/2500 RPM)
- Kubota model V3600 (68 HP/2400 RPM)

Heli' G series trucks feature an advanced power train design where the careful combination of key components has resulted in significant performance gains. Particular attention was given to reducing engine torque drag and thereby increasing overall truck performance.



REDUCED FUEL  
CONSUMPTION



INCREASED  
LIFT SPEED



INCREASED  
GRADEABILITY



INCREASED  
DRAW-BARR PULL



## Operator Comfort



The G Series models incorporate a redesigned seat deck and tilt cylinder mountings. These changes have increased the operator compartment space and provides a larger floor plate for operator comfort.



The G Series models now incorporate an improved steering system with easy to maneuver tilt steering mechanism and the use of a labor saving mini-type steering wheel. Forklifts include seat-side hydraulic levers, enhanced suspension seat with seat belts and armrests.

## Advanced Design Features



### Advanced Overhead Guard

The G Series forklift utilizes a Profiled Steel overhead guard design. The unique features of this advanced design includes enhanced structural strength, and the ability to incorporate embedded cab doors when requested.

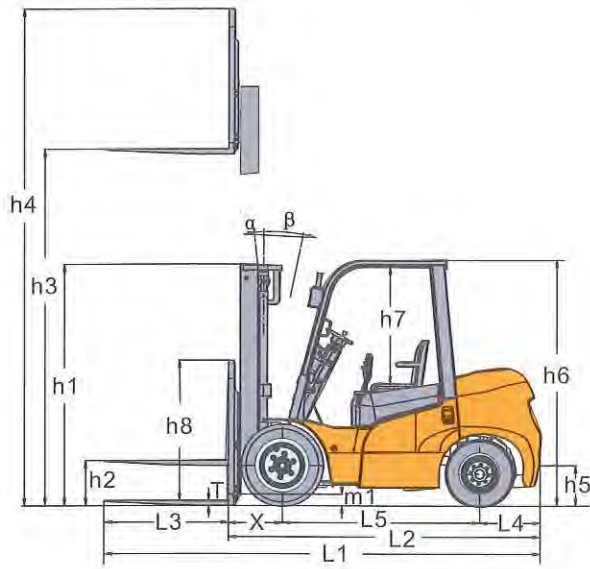
### Structurally Advanced Frame

The G Series forklift has been designed to meet the ANSI/ITSDFB56.1 (American National Regulation) Requirements

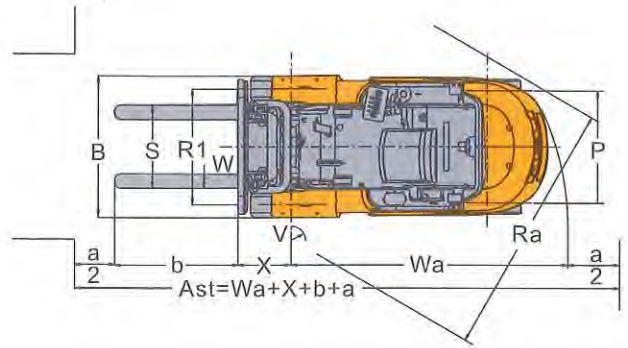


**Manufacturers Data and Design Characteristics**

Characteristics										
1	Model			CPCD10	CPCD15	CPCD18	CPCD20	CPCD25	CPCD30	CPCD35
2	Fuel Type				Diesel				Diesel	
3	Base Capacity		lbs	2000	3000	3500	4000	5000	6000	7000
4	Load Center		inch		24				24	
Dimensions										
5	Max. Lift Height With Backrest	h4	inch	158.1	158	158	157.6	157.6	164.6	164.4
6	Standard Fork Height	h3	inch		118				118	
7	Overall Lowered Height	h1	inch	78.5	78.5	78.5	78.7	78.7	81.7	85.8
8	Free Lift Standard Backrest Height	h2	inch	5.9	6.1	6.1	5.7	5.7	5.7	5.9
9	Operator Clearance	h7	inch		39				39	
10	Overall Height	h6	inch	84.3	84.3	84.3	84.3	84.3	85.4	85.4
11	Overall Length (without Forks)	L2	inch	85.3	87.8	89.5	98.8	101.6	106.3	109.1
12	Front Overhang	X	inch	15.8	15.9	16.1	18.5	18.5	18.7	19.1
13	Rear Overhang	L4	inch	14	16.3	17.9	17.3	20.1	20.7	23
14	Wheel Base	L5	inch	55.5	55.5	55.5	62.9	62.9	66.9	66.9
15	Tow Pin Height	h5	inch	9.8	9.8	9.8	9.6	9.6	9.8	9.8
16	Minimum Ground Clearance Under Mast	m1	inch	4.3	4.3	4.3	4.3	4.3	5.3	5.3
17	Overall Width	B	inch	42.3	42.3	42.9	45.2	45.2	48.2	50.6
18	Lateral Fork Adjustment Outside of Fork (max./min.)	S	inch		37.4/7.8		39.3/8.7	39.3/8.7	41.5/9.8	41.5/9.8
19	Tread (front)	R1	inch	35.4	35.4	36.6	38.1	38.1	39.3	39.3
20	Tread (rear)	P	inch	36.6	36.6	36.6	38.1	38.1	38.1	38.1
21	Outside Turning Radius	Wa	inch	73.6	76.8	78	85.4	88.1	94.4	95.2
22	Inside Turning Radius	V	inch	4.3	4.3	3.7	6.2	6.2	7.8	7.8
23	Minimum Intersecting Aisle	Ra	inch	76.6	79.7	80.9	86.6	89.7	93.7	94.4
24	Tilting Angles (forward/backward)	$\alpha/\beta$			5° /10°				6° /12°	
25	Fork Dimension (axbxc)		inch	30.3 × 3.9 × 1.3	30.3 × 3.9 × 1.3	36.2 × 3.9 × 1.4	36.2 × 3.9 × 1.4	36.2 × 3.9 × 1.4	36.2 × 3.9 × 1.4	36.2 × 3.9 × 1.4
Performance										
26	Max. Traveling Speeds (with/without Load)		mile/h		10.6/11.2		10.6/11.8		11.2/11.8	11.8/11.8
27	Lifting Speeds (with/without Load)		ft/min		116/128		108/118		98/108	88.6/94.5
28	Lowering Speeds (with/without Load)		ft/min		88.6/108				88.6	
29	Max. Draw-bar Pull (with/without Load)		lbs		4005/1552		3820/1870	3820/1990	3600/2200	3710/2200
30	Max. Negotiable Gradient (with/without Load)		%	42/25	40/19	36/18	28/20	25/18	23/20	22/20
Weights										
31	Service Weight		lbs	5070	6083	6550	7670	8370	9700	11020
32	Axle Load, Front/rear		lbs	6390/880	8160/1220	8950/1450	10750/1320	12360/1530	14330/1980	16750/1980
33	Axle Load Without, Front/rear		lbs	2290/2780	2620/3470	2520/4020	3070/4600	3350/5025	3880/5820	4410/6610
Tires										
34	Wheels Number Front/rear (x=driven)				2X/2				2X/2	
35	Type				Pneumatic				Pneumatic	
36	Size (front)				6.50-10-10PR		7.00-12-12PR		28 × 9-15-12PR	28 × 9-15-14PR
37	Size (rear)				5.00-8-8PR		6.00-9-10PR		6.50-10-10PR	6.50-10-10PR
38	Service Brake								Hydraulic-Foot Pedal	
39	Parking Brake								Mechanical-Hand Lever	
Drive										
40	Battery (voltage/capacity)		V/Ah		12/80			12/80		12/80
41	Internal Combustion Engine Model				KUBOTA V2403 KU11			KUBOTA V2403 KU11 (high power V3600)		KUBOTA V3600
42	Internal Combustion Engine Rated Output		Hp/rpm		45.6/2400			45.6/2400		62.7/2400
43	Internal Combustion Engine Rated Torque		lb.ft/rpm		115/1600			115/1600		154.9/1600
44	Internal Combustion Engine Number Of Cylinder				4-87X102.4			4-87X102.4		4-98 x 120
45	Internal Combustion Engine Displacement		L		2.434			2.434		3.62
46	Internal Combustion Engine Fuel Tank Capacity		L		46			46		70
47	Transmission Number Of Speed Fwd/bwd Type				1/1			1/1		1/1

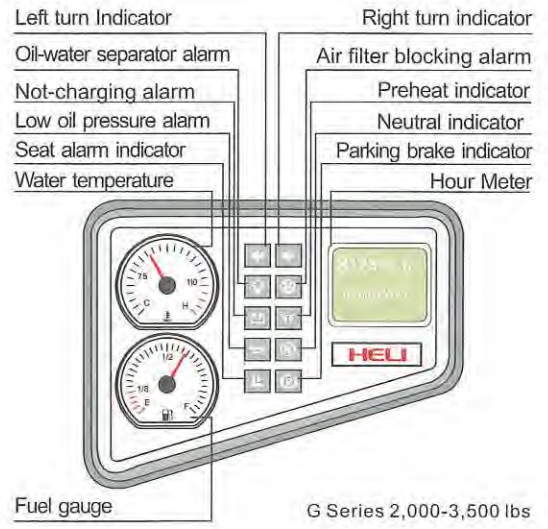
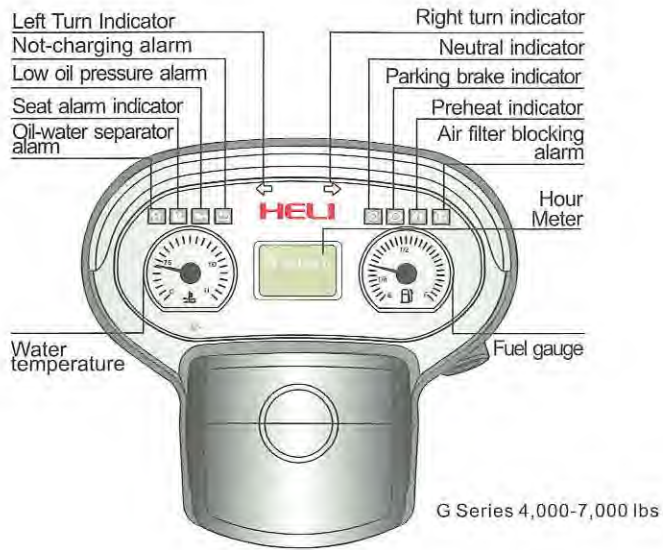


Ast: Aisle width with load  
 a: Clearance  
 b: Length Of Loading



- CPQD10/CPCD10
- CPQD15/CPCD15
- CPQD18/CPCD18
- CPQD20/CPCD20
- CPQD25/CPCD25
- CPQD30/CPCD30
- CPQD35/CPCD35

Note:  
 Vertical axle stands for load capacity while horizontal axle stands for load center. Load center is the distance counted from the front of the fork. The base point of the standard load is the center point of the cubic with the same 39.4 inch dimension in length, width and height. The load capacity should be down, if mast tilts forward, using non-standard forks or loading goods with extra width. Please notice the different load capacity between different load centers according to load chart.



### 2,000-7,000lbs 2-STAGE STANDARD MAST

Mast model	Max. fork height mm	Capacity at 24 inch Load center							Overall lowered Height (inch)				Tilting Angle		Service Weight (lbs)						
		2000lbs	3000lbs	3500lbs	4000lbs	5000lbs	6000lbs	7000lbs	2000-3500lbs	4000-5000lbs	6000lbs	7000lbs	2000-3500lbs	4000-7000lbs	2000lbs	3000lbs	3500lbs	4000lbs	5000lbs	6000lbs	7000lbs
M200	78	2000	3000	3500	4000	5000	6000	7000	58.9	59.1	61.8	66.1	5-10"	6-12"	4937	5951	6414	7494	8199	9521	10844
M250	98	2000	3000	3500	4000	5000	6000	7000	68.7	68.9	71.7	76	5-10"	6-12"	4992	6006	6469	7582	8287	9609	10932
M300	118	2000	3000	3500	4000	5000	6000	7000	78.5	78.7	81.3	85.8	5-10"	6-12"	5069	6083	6546	7670	8375	9698	11020
M330	130	2000	3000	3500	4000	5000	6000	7000	84.4	84.6	87.4	91.7	5-10"	6-12"	5102	6116	6579	7714	8419	9753	11064
M350	137	2000	3000	3500	4000	5000	6000	7000	88.4	88.6	91.3	98.7	5-10"	6-12"	5135	6149	6612	7758	8463	9786	11108
M370	145	2000	3000	3500	4000	5000	6000	7000	92.3	92.5	95.3	99.6	5-6" 5-10"	6-6" 6-12"	5179	6193	6656	7802	8507	9830	11152
M400	157	2000	3000	3400 *3500	4000	5000	6000	7000	100.2	100.4	103.1	107.5	5-6" 5-10"	6-6" 6-12"	5268	6281	6744	7846	8552	9874	11196
M450	177	1900	2600 *2800	3100 *3400	3600 *3800	4300 *4800	5500 *6000	6400 *7000	110	110.2	113	117.3	*5-6"	*6-6"	5334	6348	6810	7934	8640	9962	11284
M500	196	1860 *1900	2000 *2700	2200 *3200	3200 *3400	3300 *4400	4800 *5700	5000 *5700	119.9	120.1	122.6	127.2	*5-6"	*6-6"	5411	6425	6888	8023	8728	10050	11373
M550	216	*1800	*2300	*3000	*3200	*3900	*4900	*5000	131.7	131.9	134.6	139	*3-6"	*3-6"	5774	6788	7251	8111	8816	10138	11461
M600	236	*1700	*2100	*2800	*3000	*3600	*4450	*4600	141.5	141.7	144.5	148.8	*3-6"	*3-6"	5841	6854	7317	8199	8904	10227	11549

- NOTE: (1) Dual drive wheels weight: add 242 lbs.  
 (2) \* Front wheel is dual drive.  
 (3) Rated capacity with (\*) shows capacity with dual drives.  
 (4) Max. lifting height without load bracket: -14.5"

### 2,000-7,000 lbs 2-STAGE FULL FREE MAST

Mast model	Max. fork height inch	Capacity at 24inch load center							Overall Mast Height (inch)				Free Lift(with Backrest) (inch)				Tilting Angle		Service Weight (lbs)						
		2000lbs	3000lbs	3500lbs	4000lbs	5000lbs	6000lbs	7000lbs	2000-3500lbs	4000-5000lbs	6000lbs	7000lbs	2000-3500lbs	4000-5000lbs	6000lbs	7000lbs	2000-3500lbs	4000-5000lbs	2000lbs	3000lbs	3500lbs	4000lbs	5000lbs	6000lbs	7000lbs
ZM200	78	2000	3000	3500	4000	5000	6000	7000	58.9	59.1	61.8	66.1	20.5	19.3	13.4	18.1	5-10"	6-12"	4970	6006	6491	7582	8287	9631	10954
ZM250	98	2000	3000	3500	4000	5000	6000	7000	68.7	68.9	71.7	76	28.3	29.1	23.2	29.5	5-10"	6-12"	5102	6138	6623	7670	8375	9720	11042
ZM300	118	2000	3000	3500	4000	5000	6000	7000	78.5	78.7	81.3	85.8	38.2	39	33.1	39.4	5-10"	6-12"	5179	6215	6700	7758	8463	9808	11130
ZM330	130	2000	3000	3500	4000	5000	6000	7000	84.4	84.6	87.4	91.7	44.1	44.9	39	45.3	5-10"	6-12"	5223	6259	6744	7446	8529	9874	11174
ZM350	137	2000	3000	3500	4000	5000	6000	7000	88.4	88.6	91.3	95.7	48	48.8	42.9	49.2	5-10"	6-12"	5257	6292	6777	7866	8574	9896	11218
ZM370	145	2000	3000	3500	4000	5000	6000	7000	92.3	92.5	95.3	99.6	52	53	47.4	53.1	5-5" 5-10"	6-6" 6-12"	5290	6325	6810	7912	8596	9962	11284
ZM400	157	2000	3000	3400 *3500	4000	5000	6000	7000	100.2	100.4	103.1	107.5	59.8	60.8	54.7	61	5-6" 5-10"	6-6" 6-12"	5400	6436	6921	7956	8662	10006	11329

- NOTE: (1) Dual drive wheels weight: add 242 lbs.  
 (2) \* Front wheel is dual drive.  
 (3) Rated capacity with (\*) shows capacity with dual drives.  
 (4) Max. lifting height without load bracket: -14.5"  
 (5) 2000-3500lbs Free lifting height without load bracket: + 14.5"  
 4000-5000lbs Free lifting height without load bracket: + 15.6"  
 6000lbs Free lifting height without load bracket: + 19.3"  
 7000lbs Free lifting height without load bracket: + 16.2"

### 2,000-7,000 lbs 3-STAGE FULL FREE MAST

Mast model	Max. fork height inch	Capacity at 24inch load center							Overall Mast Height (inch)				Free Lift(with Backrest) (inch)				Tilting Angle		Service Weight (lbs)						
		2000lbs	3000lbs	3500lbs	4000lbs	5000lbs	6000lbs	7000lbs	2000-3500lbs	4000-5000lbs	6000lbs	7000lbs	2000-3500lbs	4000-5000lbs	6000lbs	7000lbs	2000-3500lbs	4000-5000lbs	2000lbs	3000lbs	3500lbs	4000lbs	5000lbs	6000lbs	7000lbs
ZSM360	141" TSU	2000	2900	3500	2000	2400	2900	3300	70.5	70.7	76	76	30.3	30.9	29.1	29.3	5-6"	6-6"	5279	6314	6799	8023	8728	10028	11351
ZSM400	157" TSU	2000	2800	3200	1900	2400	2900	3300	75.4	75.6	80.9	80.9	35	35.8	34.1	34.3	5-6"	6-6"	5334	6370	6854	8067	8772	10094	11417
ZSM435	171" TSU	1800	2700	3100	3700	4400	5600	6000	80.3	80.5	85.8	85.8	40.2	40.7	39	39.2	5-6"	6-6"	5389	6425	6910	8133	8838	10160	11481
ZSM450	177" TSU	1800	2600	3000	3500	4300	5400	5800	82.3	82.5	87.8	87.8	42.1	42.7	40.9	41.1	5-6"	6-6"	5455	6436	6932	8155	8860	10182	11505
ZSM470	185" TSU	1800	2600	2900	3440	4000	5200	5300	85	85	87.8	87.8	44.9	45.3	40.9	41.1	5-6"	6-6"	5477	6458	6954	8155	8860	10182	11527
ZSM490	189" TSU	1800	2200	2900	3400	3900	5000	5200	86.2	86.4	91.7	91.7	46.1	46.7	44.9	45.1	5-6"	6-6"	5499	6491	6965	8199	8904	10227	11549
ZSM600	196" TSU	1800	2200	2300	3200	3300	4800	4900	90.2	90.4	95.7	95.7	50	50.6	48.8	49	5-6"	6-6"	5554	6502	7020	8243	8948	10271	11593
ZSM640	212" TSU	1600	1700	1700	2900	3000	4500	4600	95.1	95.3	100.6	100.6	54.7	55.5	53.7	53.9	3-6"	3-6"	5598	6579	7064	8309	9014	10315	11637
ZSM600	236" TSU	1100	1100	1100	1900	2000	3000	3100	103.9	104.1	109.4	109.4	63.8	64.4	62.6	62.8	3-6"	3-6"	5730	6711	7196	8375	9080	10425	11747

- NOTE: (1) Dual drive wheels weight: add 242 lbs.  
 (2) \* Front wheel is dual drive.  
 (3) Rated capacity with (\*) shows capacity with dual drives.  
 (4) Max. lifting height without load bracket: -14.5"  
 (5) 2000-3500lbs Free lifting height without load bracket: + 14.5"  
 4000-5000lbs Free lifting height without load bracket: + 15.6"  
 6000lbs Free lifting height without load bracket: + 19.3"  
 7000lbs Free lifting height without load bracket: + 16.2"



**2,000-7,000 lbs**  
**G Series**  
**Pneumatic Tire Forklift**

**STANDARD EQUIPMENT**

- |                                |                               |
|--------------------------------|-------------------------------|
| Hour meter                     | Rear combo lights             |
| Horn                           | Back-up alarm                 |
| Oil pressure alarm             | Power brake (2-3.5t)          |
| Three-spool control valve      | Neutral switch                |
| Power steering                 | Speed-limiting valve          |
| Rubber pedal pad               | Hydraulic oil gauge           |
| Load backrest                  | Oil gauge                     |
| Rear view mirror               | Battery-charge indicator      |
| Front combo lights             | Wide-view mast                |
| Complete tool kit              | Combined display              |
| Transmission oil filter        | Tow pin                       |
| Water temperature meter        | Central control box           |
| 130 inch standard 2-stage mast | Standard semi-suspension seat |

**OPTIONS**

- |                          |                             |
|--------------------------|-----------------------------|
| Cab                      | Side shifter                |
| Amber flashing light     | 2-stage full free lift mast |
| Vertical exhaust         | 3-stage full free lift mast |
| Double air filter        |                             |
| Full suspension seat     |                             |
| Cab heater               |                             |
| Solid pneumatic tire     |                             |
| Windshield               |                             |
| Fire extinguisher        |                             |
| Rear work light          |                             |
| Tilt cylinder boot       |                             |
| Steering cylinder sleeve |                             |
| Dual drive tires         |                             |

**Industrial Forklifts**

4105 Globeville Road  
 Denver, CO 80216  
 888-NEW-HELI(639-4354)  
 303-297-3426 Fax  
 www.IndustrialForklifts.com

\*The specifications are based on the information available at the time of printing and may be changed without notice.

